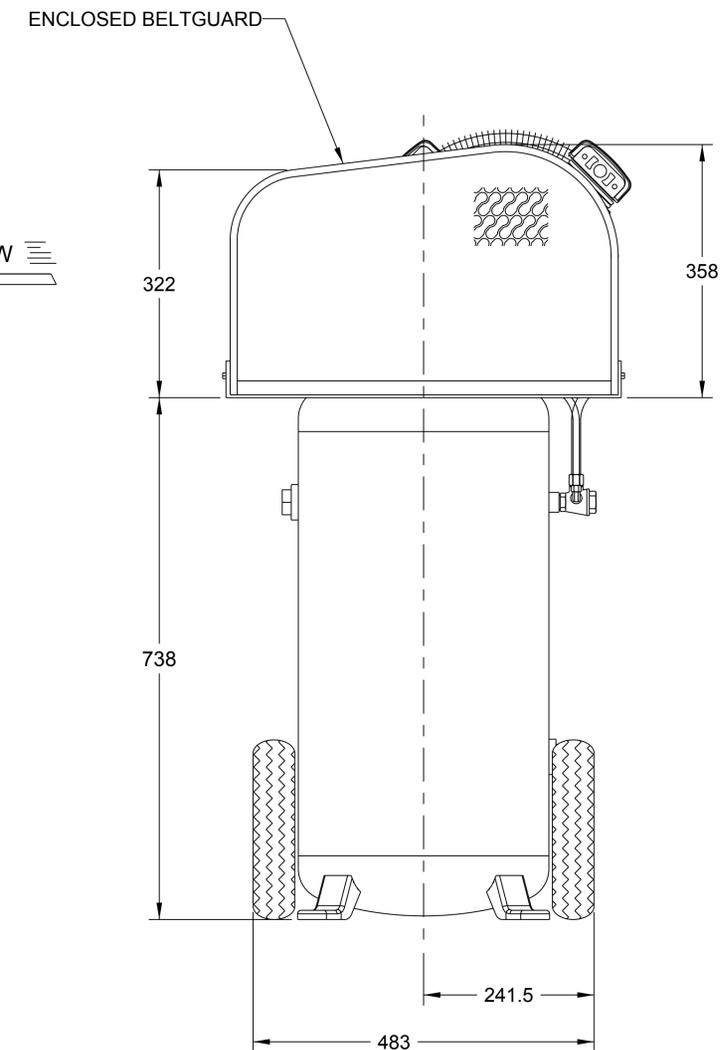
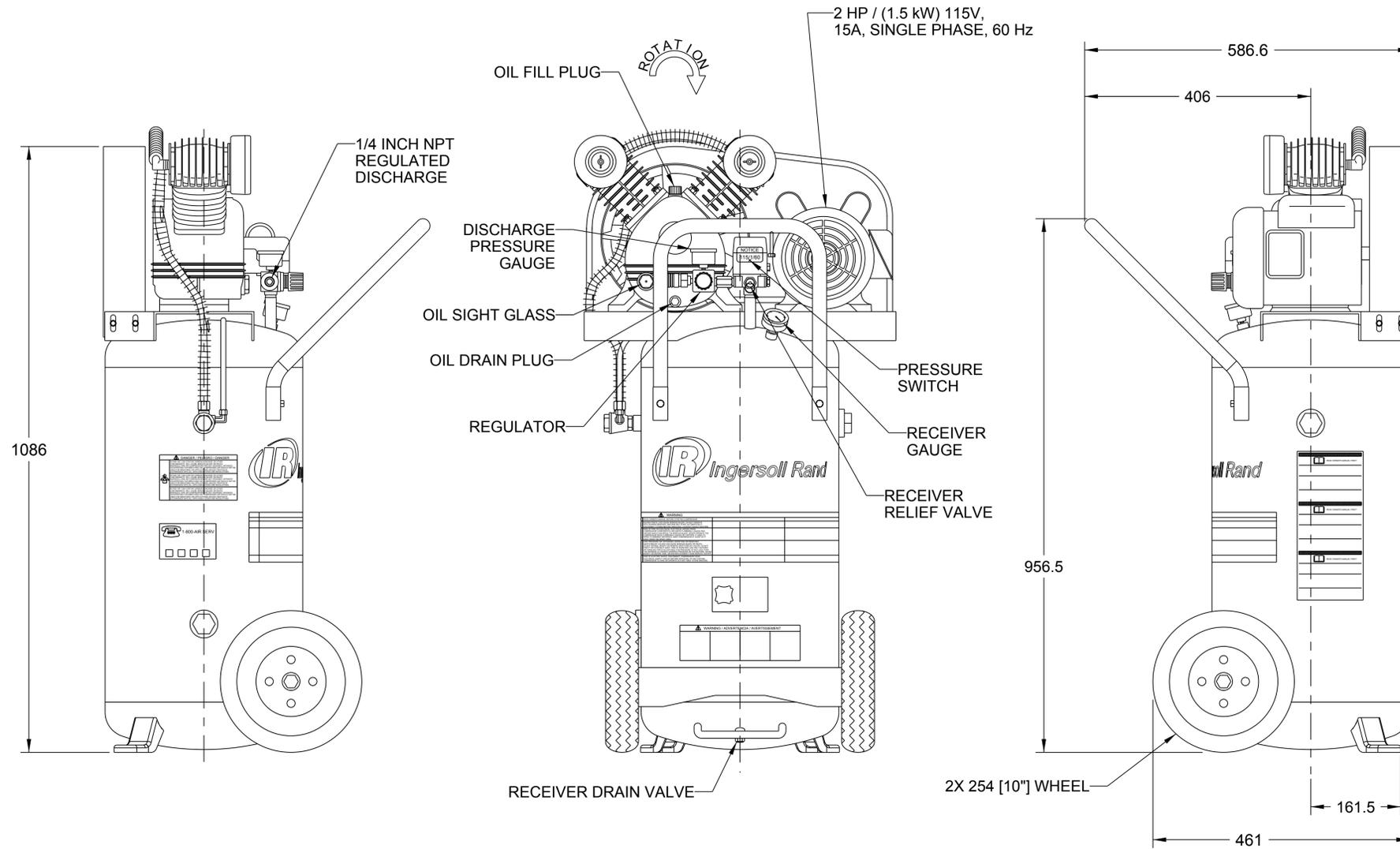
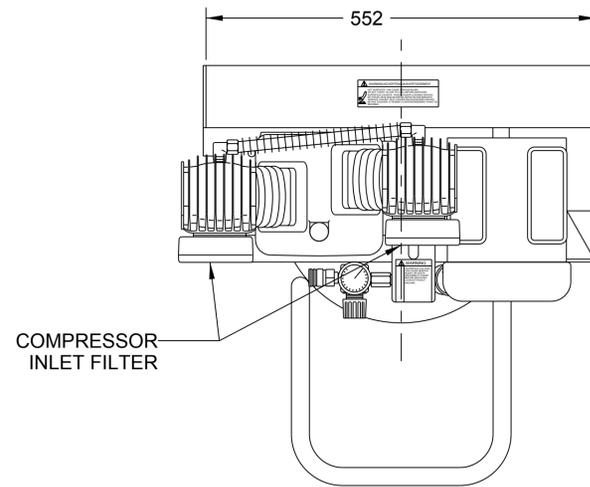


NOTES :

1. ALLOW AT LEAST 305mm [12 INCHES] OF CLEARANCE MINIMUM ON ALL SIDES FOR PROPER AIR CIRCULATION.
2. DIMENSIONS ARE IN MILLIMETERS [INCHES] UNLESS OTHERWISE SPECIFIED.
3. MAX. OPERATING PRESSURE: 135 psi [931 kPa]
4. RECEIVER SIZE: 20 GALLON [76 LITERS]
5. APPROXIMATE PACKAGE WEIGHT (WET): 200 LBS.

| REVISIONS | | | | | |
|-----------|-----|-------|---|-----------|------------------------|
| ZONE | REV | ECN | DESCRIPTION | DATE | APPD |
| | A | 76700 | ORIGINAL RELEASE | 2007DEC04 | R. Redmon N. Nguyen |
| | B | 76915 | UPDATED GRAPHICS PER APP. SPEC. DRAWING | 2007DEC14 | R. Redmon N. Nguyen |



| STANDARD TOLERANCES | |
|---|--------|
| ALL DIMENSIONS ARE IN MILLIMETERS [INCHES (IF SHOWN)] | |
| UNSPECIFIED TOLERANCES: | |
| WHOLE | ± 1 |
| ONE PLACE (X) | ± 0.5 |
| TWO PLACE (XX) | ± 0.25 |
| ANGLES (X) | ± 1° |
| Ingersoll-Rand Industrial Technologies | |

WARNING: THE EXPORT OR REEXPORT OF THIS DRAWING OR A PRODUCT PRODUCED BY THIS DRAWING IS SUBJECT TO U.S. EXPORT ADMINISTRATION REGULATIONS AND OTHER APPLICABLE GOVERNMENT RESTRICTIONS OR REGULATIONS.

PROPRIETARY NOTICE

THIS DRAWING CONTAINS CONFIDENTIAL AND TRADE SECRET INFORMATION, IS THE PROPERTY OF INGERSOLL-RAND CO., AND IS GIVEN TO THE RECEIVER IN CONFIDENCE. THE RECEIVER BY RECEPTION AND RETENTION OF THE DRAWING ACCEPTS THE DRAWING IN CONFIDENCE AND AGREES THAT, EXCEPT AS AUTHORIZED IN WRITING BY INGERSOLL-RAND CO. IT WILL (1) NOT USE THE DRAWING OR ANY COPY THEREOF OR THE CONFIDENTIAL OR TRADE SECRET INFORMATION THEREIN; (2) NOT COPY THE DRAWING; (3) NOT DISCLOSE TO OTHERS EITHER THE DRAWING OR THE CONFIDENTIAL OR TRADE SECRET INFORMATION THEREIN; AND (4) UPON COMPLETION OF THE NEED TO RETAIN THE DRAWING, OR UPON DEMAND, RETURN THE DRAWING, ALL COPIES THEREOF, AND ALL MATERIAL COPIED THEREFROM.

DO NOT SCALE DRAWING
DRAWING CONFORMS TO ASME Y14.5M - 1994

CAD GENERATED DRAWING,
NO MANUAL REVISIONS ALLOWED

UNLESS OTHERWISE SPECIFIED:
- REMOVE ALL BURRS AND SHARP CORNERS
- WELD SYMBOLS TO BE IN ACCORDANCE WITH ANSI/AWS A2.4

COPYRIGHT © 2007
INGERSOLL-RAND COMPANY
ALL RIGHTS RESERVED

| THIRD ANGLE PROJECTION | |
|------------------------|-----------|
| DRAWN | DATE |
| R. Redmond | 2007DEC04 |
| CHECKED | DATE |
| N. Nguyen | 2007DEC04 |
| APPROVED | DATE |
| B. Wise | 2007DEC04 |

IR Ingersoll Rand

GENERAL ARRANGEMENT GARAGEMATE

| | | | |
|-----------|--|-----------------|--------------|
| SIZE | ESTIMATED WEIGHT (KG UNLESS OTHERWISE SPECIFIED) | DWG NO. | REV |
| A1 | 200 LBS | 23200934 | B |
| SCALE: | 0.20 | UNIT: P1-5IU-A9 | SHEET 1 OF 1 |